



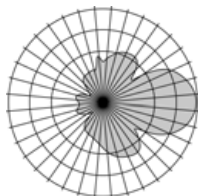
PA40D 2.4 GHz flat panel Antenna



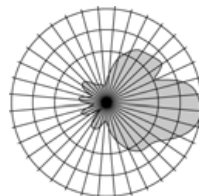
- Used on many outdoor Hotspot locations
- Most popular outdoor panel antenna
- Attractive low profile housing type
- Type N Female connector
- Extremely flat
- 15 dBi Antenna gain
- Vertical polarization
- Type N Female connector
- Strong pole mount material
- Mounting on desk or solid ceiling

Specifications

Frequency Range	2400 - 2475 MHz
Gain	15 dBi
VSWR	1.5:1
Impedance	50 OHM
Input Power	100W
Operating Temperature	-10 +70 Deg C
Polarization	Vertical
Connector	N- female
Weight	1,2 Kg
Dimension (height x width)	(230mm x 220mm)



Azimuth radiation pattern



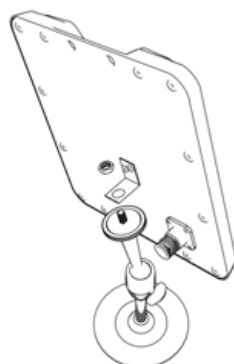
Elevation radiation pattern



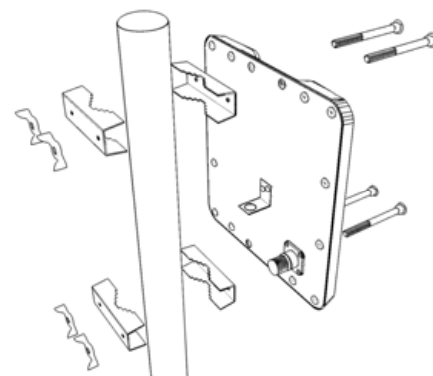
The antenna is constructed of UV stable ABS



The antenna is extremely flat and low profile



Including 360 degrees 3 dimensional full rotating antenna foot.



Also included is the pole mount kit, for easy instalment.

