



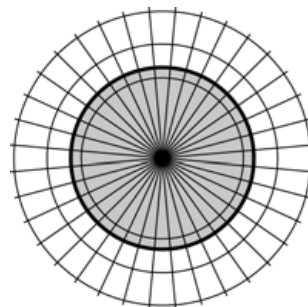
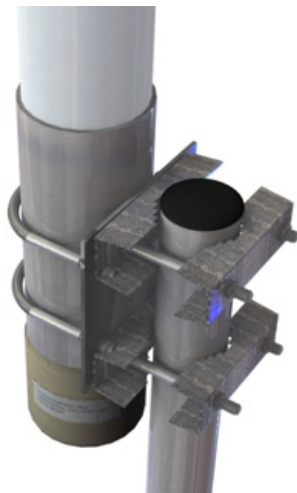
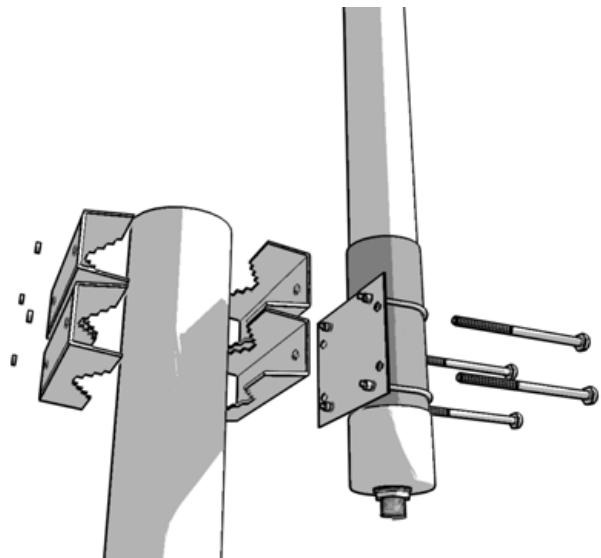
# Fibreglass Omni antenna 5 Ghz 13 dBi



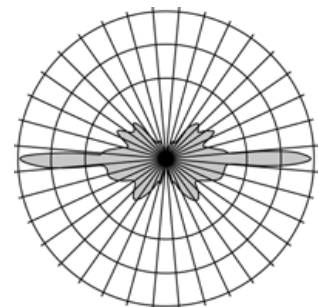
- Fibreglass Radome for maximum durability
- Guaranteed no up tilt radiation
- Strong pole brackets included
- Economically priced
- Individually tested
- Aluminum parts
- Vertical polarization
- 13 dBi Antenna gain
- Type N Female connector
- Designed for professional users
- Super strong heavy duty housing

## Specifications

Frequency Range	5400 - 5725 MHz
Gain	13 dBi
VSWR	1:1,8
Impedance	50 OHM
Input Power	50W
Azimuth beam width	360 degree
Elevation beam width	5 Degree
Used materials	Fibreglass, aluminium PVC, galvanized steel
Max. wind speed	216 km/u
Weight	3,1 Kg incl. brackets
Dimension (Dia. x Length)	(72mm x 1690mm)



*Azimuth radiation pattern*



*Elevation radiation pattern*

